

# BLANK FIRING ATTACHMENTS (BFA)

Sept. 28, 1943.

J. C. GARAND

2,330,210

BLANK AMMUNITION FIRING ATTACHMENT FOR GAS OPERATED GUNS

Filed Nov. 22, 1938

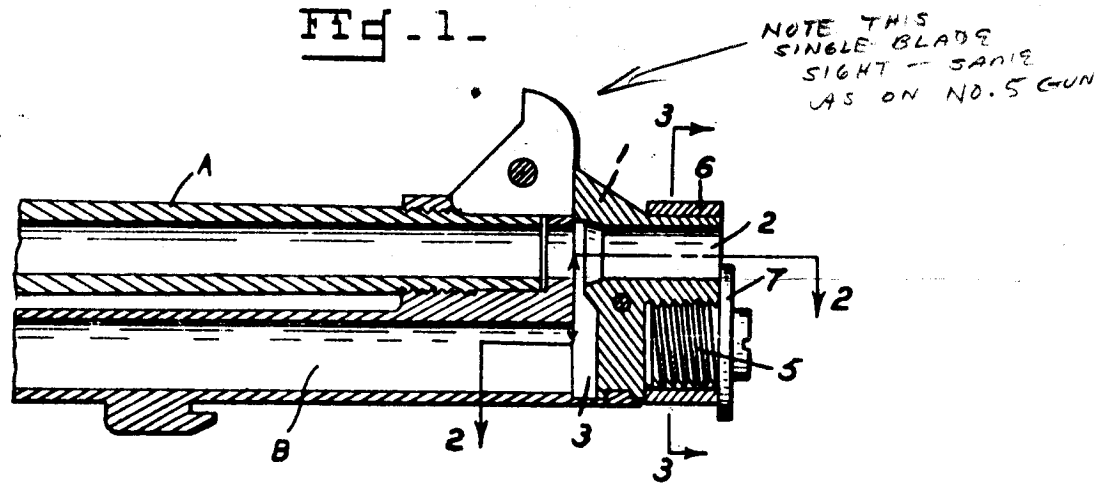


Fig. 2.

Fig. 3.

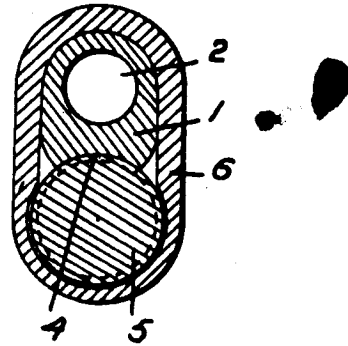
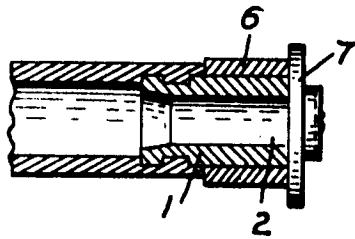


Fig. 4.

Fig. 5.

Fig. 6.

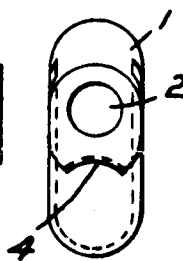
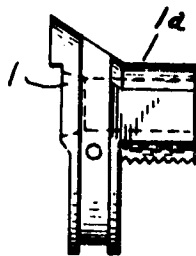
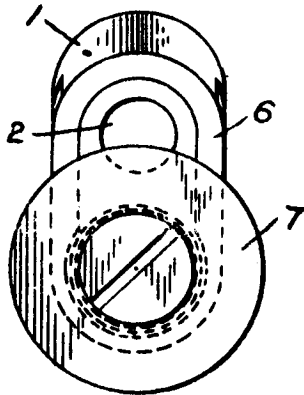
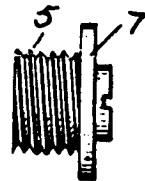


Fig. 7.



Inventor  
John C. Garand

By *Wesley H. Church*  
Attorney